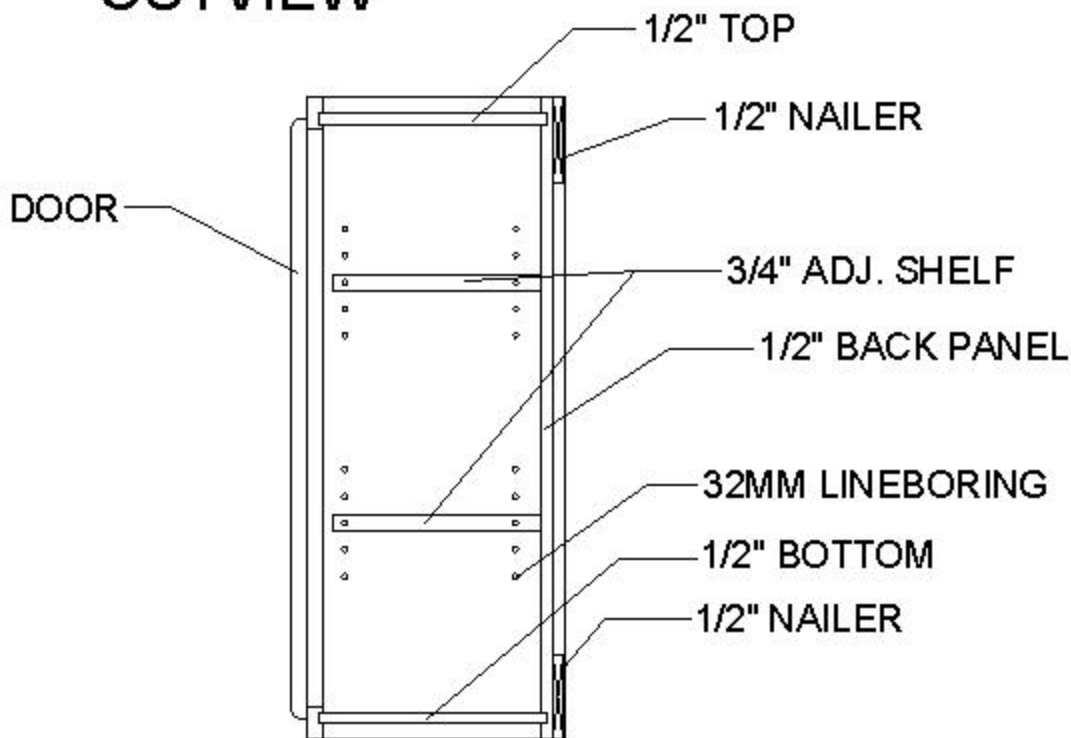


# STD. FACE FRAME UPPER CABINET CUTVIEW



DOORS ARE FRAME AND PANEL SOLID WOOD  
CABINET INTERIORS ARE MELAMINE  
SHELF EDGE TREATMENT IS THROUGH COLOR FLAT PVC  
ALL WOOD SURFACES ARE STAINED AND FINISHED AS SELECTED