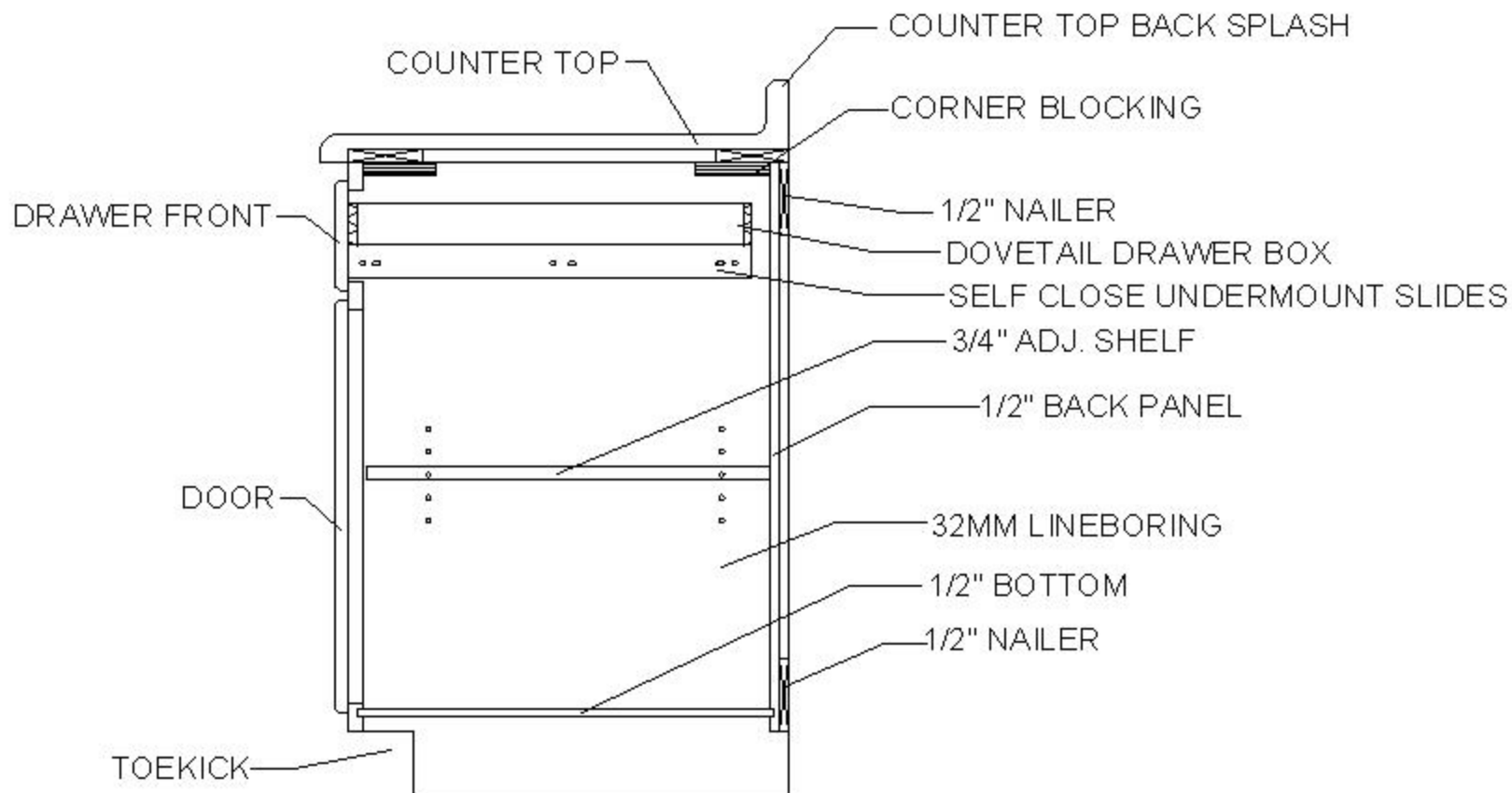


STD. FACE FRAME BASE CABINET CUTVIEW



DOORS ARE FRAME AND PANEL SOLID WOOD
 DRAWER FRONTS ARE SOLID WOOD SLAB
 CABINET INTERIORS ARE MELAMINE
 SHELF EDGE TREATMENT IS THROUGH COLOR FLAT PVC
 ALL WOOD SURFACES ARE STAINED AND FINISHED AS SELECTED